

All stainless steel pressure gauges with Bourdon tube with glycerin filling

Nominal size ND 100, ND 160
Accuracy class 1.0

according to DIN EN 837-1

Features

Ideal for hard conditions
High reliability on a longterm basis
Stainless steel case and measuring system
Overrange protection 1,3 times max.
Protection IP 65

Applications

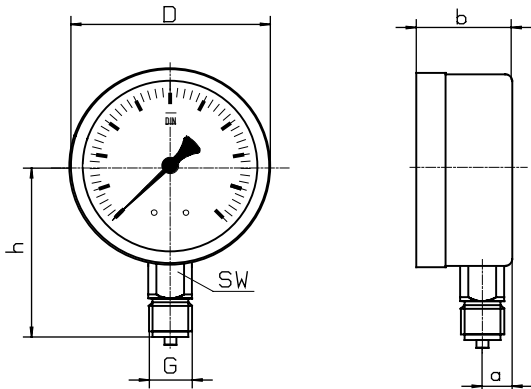
Chemical and petrochemical industry
Foodstoffs and beverage industry
Paper industry



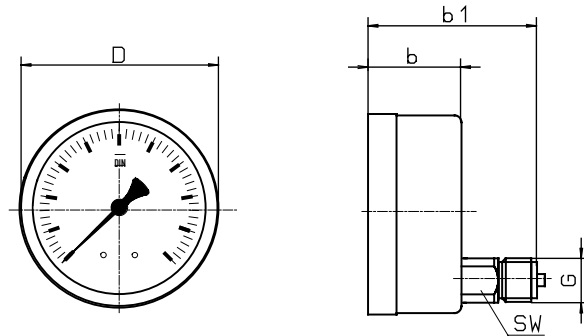
Models and ND	MR-30 F 100	MR-35 F 100	MR-30 F 160	MR-35 F 160
Connections	bottom	back, eccentric	bottom	back, eccentric
Ranges in bar	0...0,6, 1, 1,6, 2,5, 4, 6, 10, 16, 25, 40, 60, 100, 160, 250, 400, 600, 1.000, 1.600 -0,6 / 0, -1 / 0, -1 / +0,6, -1 / +1,5, -1 / +3, -1 / +5, -1 / +9, -1 / +15, -1 / +24			
Application	Constant load : up to full scale value, >1000 bar 3/4 Alternating load : up to 0,9 x full scale value , > 1000 bar 2/3 Overrange protection 1,3 times max., > 1000 bar full scale value			
Case	CrNi steel , pressur relief opening (closed with rubber disk)			
Bezel	CrNi steel			
Window	Laminated safety glass			
Dial	Aluminium white, scale and imprint black Skalierung schwarz			
Pointer	Aluminium, black			
Movement	CrNi steel			
Measuring element	CrNi steel Bourdon tube < 40 bar, helial tube > 60 bar			
Connection	CrNi steel			
Connectionthread	G 1/2 B			
Protection	IP 65 to EN 60529 / IEC 529			
Temperature drift	Medium: -20°C to 80°C, ambient: -25°C to 60°C			
Weight	0,9 kg		2,1 kg	

Dimensions

Connection bottom



Connection back, eccentric

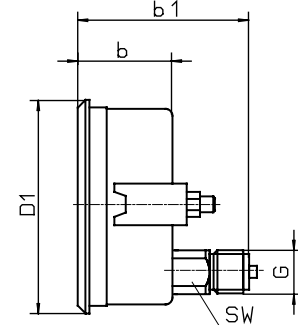
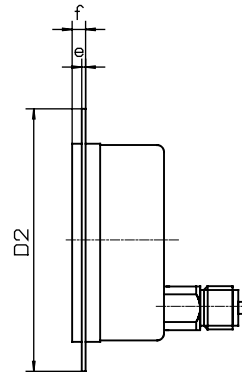
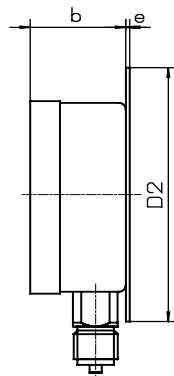
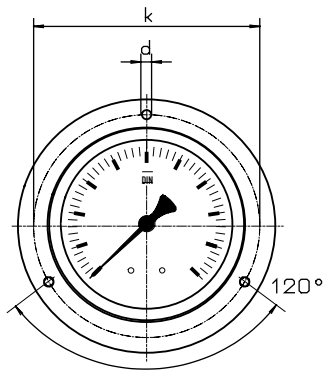


front flange

rear flange

front flange

with triangle bezel a. U-clamp



Dimensions in mm														
Model	NG	D	a	b	b1	h	D1	D2	e	f	k	d	sw	G
MR-30 F	100	101	15	49	-	86	107	132	2	6	116	5	22	G 1/2 B
MR-35 F	100	101	-	49	85	-	107	132	2	6	116	5	22	G 1/2 B
MR-30 F	160	160	15	51	-	118	-	196	3	8	178	5,6	22	G 1/2 B
MR-35 F	160	160	-	51	86	-	166	196	3	8	178	5,6	22	G 1/2 B

Modelspecification

